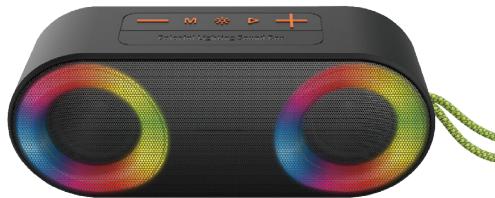


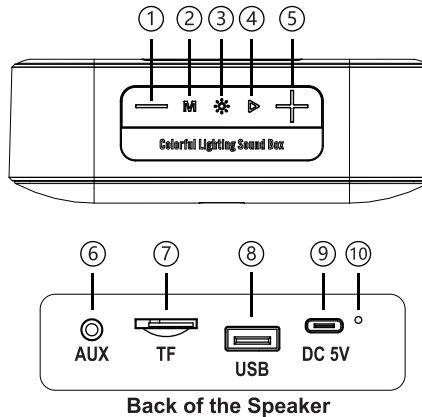
User Manual

PORTABLE BLUETOOTH SPEAKER

RY-BS020



Speaker buttons and port diagram



- ① Volume down / Previous track
- ② Mode button
- ③ Light button
- ④ Play/Pause & Power button
- ⑤ Volume up / Next track
- ⑥ 3.5mm AUX port
- ⑦ TF card port
- ⑧ USB port
- ⑨ DC-in port
- ⑩ Charging indicator

Speaker Operating Instructions

Button	Status	Operation	Function
▶		Press and hold for 2s	Power on/off
M		press	Switch among 4 modes Bluetooth/AUX/TF/USB
—	Music	Press	Volume down
▶		Press and hold for 2s	Previous track
+		Press	Volume up
▶	Call	Press and hold for 2s	Next track
▶		Press	Play/Pause
▶		Press	Answer/Hung up call
▶	Call	Press and hold for 1s	Reject call
▶		Double press	Dial the last call
⊛		Press	Light mode switch
⊛		Press and hold for 2s	Disconnect bluetooth/ Pair to last connected device

Bluetooth Operation Instructions

- Power on and enter Bluetooth mode, then turn on the mobile phone Bluetooth to search for RY-BS020, if prompted for a pairing password, please enter "0000" and click OK to connect.
- The call function can only be used in Bluetooth mode.

Charging Instructions

Connect the charging cable to a 5V $\bar{\text{---}}$ 1A charger, and plug it into the DC 5V charging port after the machine is turned off; The red light is on when charging, green light is on when fully charged.

Speaker Troubleshooting

- Automatically shut down at startup**
The battery is low, please fully charge it before use.
- Playback automatically shuts down or restarts**
The battery is low, please fully charge it before use.

3. The charging light is not on, not charging

Whether the charging cable is plugged in properly and whether it is damaged; whether the charger is normal, please use a 5V $\bar{\text{---}}$ 1A charger to charge the speaker.

4. Bluetooth status silent

Whether the Bluetooth is paired correctly, Bluetooth device is playing, and the volume is not at the minimum.

5. Bluetooth can't connect

To connect to bluetooth within 10 meters. If other devices are already connected, you need to cancel the other devices before you can connect.

6. TF card/U disk plays silently

Check whether the direction of the TF card/U disk is inserted in place or whether it is in good contact; whether the music format in the TF card/U disk is correct (Note: The music in the TF card/U disk mainly supports MP3 format audio files)

7. Power saving mode, automatic shutdown

In the state of Bluetooth mode, speaker is not connected to any device with Bluetooth, and if there is no operation for 15 minutes, the speaker will enter the power saving mode and automatically shut down.

8. Crash / function failure

Press and hold "▶" key for 10 seconds to restore the factory settings.

Product parameters

Input power: 5V $\bar{\text{---}}$ 1A
Frequency Range: 65Hz–18KHz
S/N : \geq 85dB
Product size: 200x68x81mm
Battery capacity: 3.7V 3000mAh

Parts List

- | | |
|--------------------|------|
| 1. Speaker | 1PCS |
| 2. User Manual | 1PCS |
| 3. Charging Cable | 1PCS |
| 4. AUX Audio Cable | 1PCS |